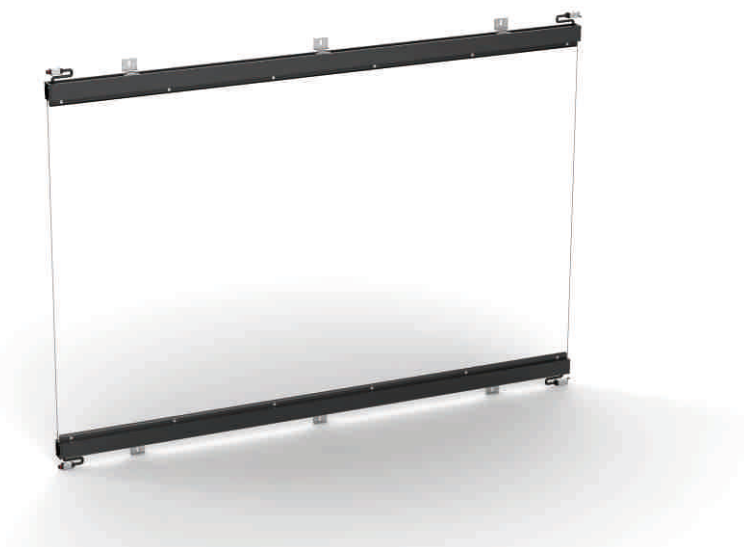
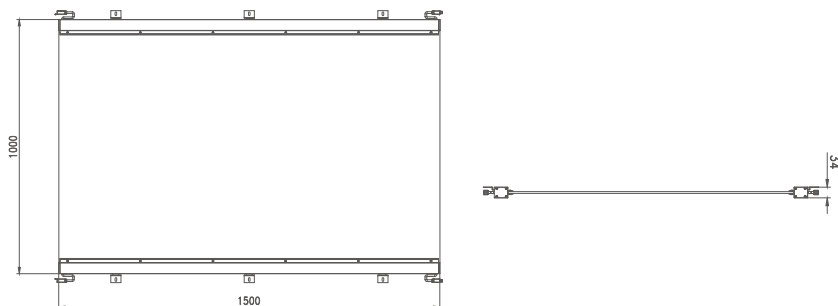


## LA-100150-01/LED Light Panel



Size:



## LA-100150-01/LED Light Panel

Features:

1. The minimalist design conforms to the standard of modern industrial aesthetics
2. Adopt unique waterproof technology of full structure to ensure durability
3. The non-uniform dot distribution technology is adopted to ensure the uniform illumination of the whole
4. Adopt imported Mitsubishi PMMA plate with high light conductivity
5. The specifications and installation methods of lamps can be customized according to the specific needs

Parameter:

Lamp Parameter		LED parameter	
Beam Angle	120°	LED chip	Cree/OSRAM
Case material/color	Aviation grade aluminum alloy(Grey)	LED Item	CLX6E/2835
Cover material/color	Mitsubishi PMMA	CCT	Single color/RGB/RGBW
IP rate	IP66 structure waterproof	LED Life	50000 h
Lamp Power	44W / 54W	Other Parameter	
Input Voltage	24V DC	Cable size	5 pins rubber cable(power cable 1 mm <sup>2</sup> ,signal cable 0.3mm <sup>2</sup> ), connector:φ16mm Aluminium alloy +φ1.5mm Gold-plated solid Pins
Pixel segment	ON-OFF/14 pixels 2 sides		
Light angle	2 sides lighting	Cable length	150mm
Cable location	From 2 ends	Fixing clip	304 Stainless steel
Series connection quantity	6pcs series connection	Light distribution	
Control way	DMX512	<p>平均光衰角(50%) : 118.2度</p>	